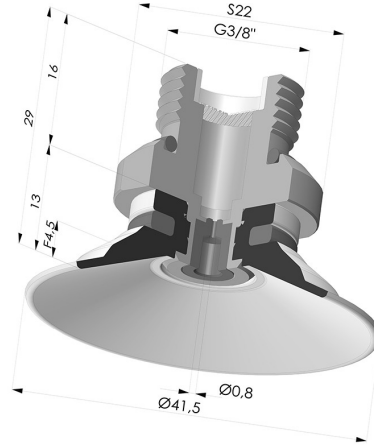


TECHNICAL INFORMATION

Arrow :	4.5 mm
Category :	Plates
Contact lip diameter :	41.5 mm
Height (in mm) :	29
Horizontal force :	57.5 N
inner barrel diameter :	Male G3/8"
Number of bellows :	0.5 Bellows
Range :	Suction cup
Series :	9
Shape :	Plate
Vertical force :	29 N



Variants:



Variant reference:
9 40SL 38D-2-GIC

- Color: Red food-grade CE certification
 - Matter: Silicone
 - Shore Hardness: SH60



Variant reference:
9 40SLT 38D-2-GIC

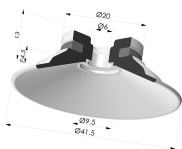
- Color: Translucent
 - CE food certified
 - Matter: Silicone
- Shore Hardness: SH60



Variant reference:
9 40NI 38D-2-GIC

- Color: Black
 - Matter: Nitrile
- Shore Hardness: SH50

Related products:



Flat Suction Cup Series 9, Ø 40 mm

Product reference: 9 40-- A



Separable Male Fitting 3/8G - with Spray Nozzle

Product reference: 9M38-2-GIC