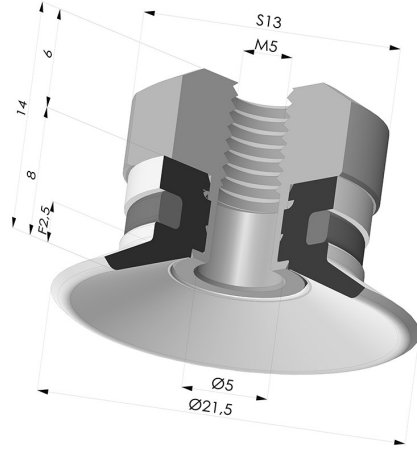


TECHNICAL INFORMATION

| | |
|--------------------------------|-------------|
| Arrow : | 2.5 mm |
| Category : | Plates |
| Contact lip diameter : | 21.5 mm |
| Height (in mm) : | 14 |
| Horizontal force : | 14 N |
| inner barrel diameter : | M5 |
| Number of bellows : | 0.5 Bellows |
| Range : | Suction cup |
| Series : | 9 |
| Shape : | Plate |
| Vertical force : | 7 N |



Variants:



Variant reference:
9 20SL FM5

- Color: Red food-grade CE certification
 - Matter: Silicone
 - Shore Hardness: SH60



Variant reference:
9 20SLT FM5

- Color: Translucent
 - CE food certified
 - Matter: Silicone
- Shore Hardness: SH60



Variant reference:
9 20NI FM5

- Color: Black
 - Matter: Nitrile
- Shore Hardness: SH50

Related products:

Flat Suction Cup Series 9, Ø 21.5 mm
 Product reference: 9 20-- A

Separable Female Fitting M5
 Product reference: 9PM5-2