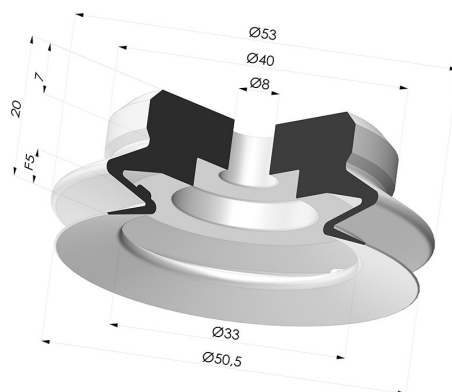


TECHNICAL INFORMATION

- Arrow :** 5 mm
Category : With bellows
Contact lip diameter : 50.5 mm
Height (in mm) : 20.2
Horizontal force : 89 N
inner barrel diameter : 8 mm
Number of bellows : 1.5 Bellows
Range : Suction cup
Series : PJG
Shape : 1.5 Bellows
Vertical force : 44.5 N



Variants:



Variant reference:

PJG 50SLT A

- Color: Translucent
- CE food certified
- Matter: Silicone
- Shore Hardness: SH60



Variant reference:

PJG 50NI A

- Color: Black
- Matter: Nitrile
- Shore Hardness: SH50

Related products:



**Adaptor - Female
 1/4G - Female M6**

Product reference: ADA
 G1/4F M6F



**Adaptor - Male 1/4G
 - Female M6**

Product reference: ADA
 G1/4M M6F



**Adaptor - Female
 1/8G - Female M6**

Product reference: ADA
 G1/8F M6F



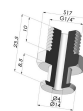
**Adaptor - Male 1/8G
 - Female M6**

Product reference: ADA
 G1/8M M6F



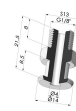
**Separable Female
 Fitting 1/4G**

Product reference: FTF
 50 G1/4



**Separable Male
 Fitting 1/4G**

Product reference: FTM
 50 G1/4



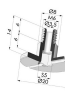
**Separable Male
 Fitting 1/8G**

Product reference: FTM
 50 G1/8



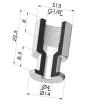
**Screw M6 - Head Ø
 11 mm - L 17 mm**

Product reference: SCR
 20B M6M



**Screw M6 - Head Ø
 20 mm - L 14 mm**

Product reference: SCR
 50 M6M



**Separable Female
 Fitting 1/8G**

Product reference: FTF
 50 G1/8