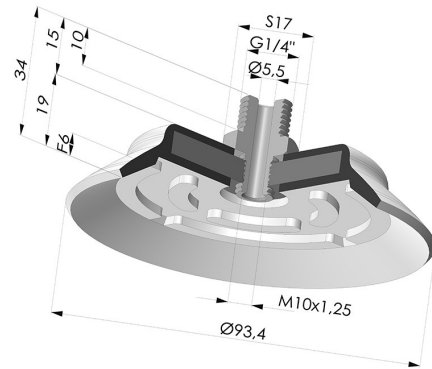


**TECHNICAL INFORMATION**

|                                |             |
|--------------------------------|-------------|
| <b>Arrow :</b>                 | 6 mm        |
| <b>Category :</b>              | Plates      |
| <b>Contact lip diameter :</b>  | 93.4 mm     |
| <b>Height (in mm) :</b>        | 34          |
| <b>Horizontal force :</b>      | 311 N       |
| <b>inner barrel diameter :</b> | Male G1/4"  |
| <b>Number of bellows :</b>     | 0.5 Bellows |
| <b>Range :</b>                 | Suction cup |
| <b>Series :</b>                | PFTM        |
| <b>Shape :</b>                 | Plate       |
| <b>Vertical force :</b>        | 155 N       |



**Variants:**



Variant reference:

**PFTM 95NI 1/4**

- Color: Black
- Matter: Nitrile
- Shore Hardness: SH50