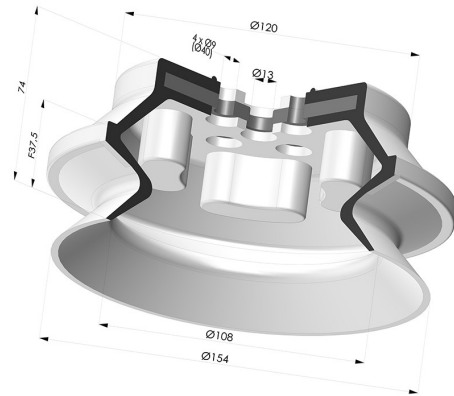
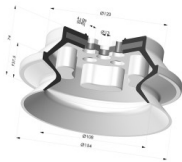


TECHNICAL INFORMATION

Arrow :	37.5 mm
Category :	With bellows
Contact lip diameter :	154.1 mm
Horizontal force :	784 N
inner barrel diameter :	13 mm
Number of bellows :	1.5 Bellows
Outer diameter :	154 mm
Range :	Suction cup
Series :	PBG
Shape :	1.5 Bellows
Vertical force :	392 N



Variants:



Variant reference:

PBG 150NI A

- Color: Black
- Matter: Nitrile
- Shore Hardness: SH50

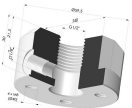


Variant reference:

PBG 150SLT A

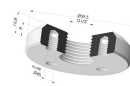
- Color: Translucent
- CE food certified
- Matter: Silicone
- Shore Hardness: SH60

Related products:



Separable Female Fitting 1/2G

Product reference: FTF 120 G1/2



Separable Female Fitting 1/2G

Product reference: FTF 120 S G1/2