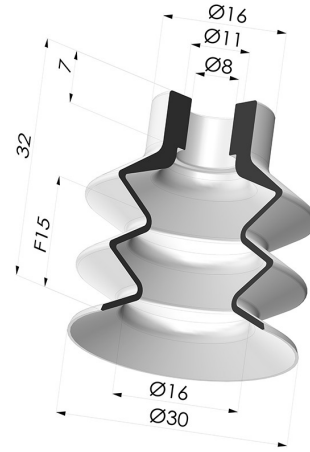
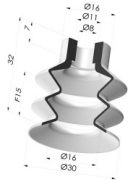


TECHNICAL INFORMATION

- Arrow :** 15 mm
Category : With bellows
Contact lip diameter : 30 mm
Height (in mm) : 32
Horizontal force : 32 N
inner barrel diameter : 8 mm
Mass : 7.20 g
Number of bellows : 2.5 Bellows
Range : Suction cup
Series : 2
Shape : 2.5 Bellows
Vertical force : 16 N
Volume : 8.18 cm³



Variants:



Variant reference:
2 30MNT A

- Color: Bordeaux
- Matter: Non-staining material
- Shore Hardness: SH60



Variant reference:
2 30PU A

- Color: Blue
- Matter: Polyurethane
- Shore Hardness: SH60



Variant reference:
2 30SLT A

- Color: Translucent
- CE food certified
- Matter: Silicone
- Shore Hardness: SH60



Variant reference:
2 30SLV A

- Color: Green food certification CE
- Matter: Silicone
- Shore Hardness: SH60



Variant reference:
2 30NI A

- Color: Black
- Matter: Nitrile
- Shore Hardness: SH50

Related products:



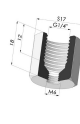
Separable Female Fitting G1/4"

Product reference: D



Separable Male Fitting G1/4"

Product reference: E



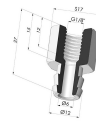
Adaptor - Female G1/4" - Female M6

Product reference: F14F6



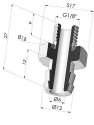
Adaptor - Female 1/8G - Female M6

Product reference: F18F6



Separable Female Fitting G1/8"

Product reference: H



Separable Male Fitting G1/8"

Product reference: I



Adaptor - Male 1/4G - Female M6

Product reference: M14F6



Adaptor - Male 1/8G - Female M6

Product reference: M18F6



Screw M6 - Head Ø 11 mm - L 17 mm

Product reference: M6M25