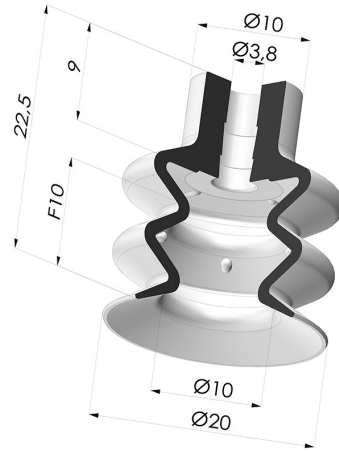
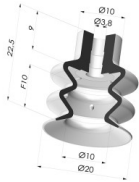


**TECHNICAL INFORMATION**

- Arrow** : 10 mm  
**Category** : With bellows  
**Contact lip diameter** : 20 mm  
**Height (in mm)** : 22.5  
**Horizontal force** : 13.9 N  
**inner barrel diameter** : 3.8 mm  
**Mass** : 2.20 g  
**Number of bellows** : 2.5 Bellows  
**Range** : Suction cup  
**Series** : 2  
**Shape** : 2.5 Bellows  
**Vertical force** : 7 N  
**Volume** : 1.87 cm<sup>3</sup>



**Variants:**



Variant reference:  
**2 20MNT A**

- Color: Bordeaux
- Matter: Non-staining material
- Shore Hardness: SH60



Variant reference:  
**2 20PU A**

- Color: Blue
- Matter: Polyurethane
- Shore Hardness: SH60



Variant reference:  
**2 20SL A**

- Color: Red food-grade CE certification
- Matter: Silicone
- Shore Hardness: SH60



Variant reference:  
**2 20SLT A**

- Color: Translucent
- CE food certified
- Matter: Silicone
- Shore Hardness: SH60



Variant reference:  
**2 20SLV A**

- Color: Green food certification CE
- Matter: Silicone
- Shore Hardness: SH60



Variant reference:  
**2 20SLBLEU A**

- Color: Blue food-grade CE certification
- Matter: Silicone
- Shore Hardness: SH60



Variant reference:  
**2 20NI A**

- Color: Black
- Matter: Nitrile
- Shore Hardness: SH50



Variant reference:  
**2 20NR A**

- Color: Gray
- Matter: Natural rubber
- Shore Hardness: SH50



Variant reference:  
**2 20SLBLEU A SH30**

- Color: Blue food-grade CE certification
- Matter: Silicone
- Shore Hardness: SH30

**Related products:**



**Separable Female Fitting G1/4"**

Product reference: B



**Separable Male Fitting G1/4"**

Product reference: C



**Separable Female Fitting G1/8"**

Product reference: F



**Adaptor - Female G1/4" - Female M6**

Product reference: F14F6



**Adaptor - Female 1/8G - Female M6**

Product reference: F18F6



**Separable Male Fitting G1/8"**

Product reference: G



**Adaptor - Male 1/4G - Female M6**

Product reference: M14F6



**Adaptor - Male 1/8G - Female M6**

Product reference: M18F6



**Separable Male Fitting M5**

Product reference: M5C11



**Separable Male Fitting M6**

Product reference: M6C



**Separable Male Fitting M5**

Product reference: M5C

--