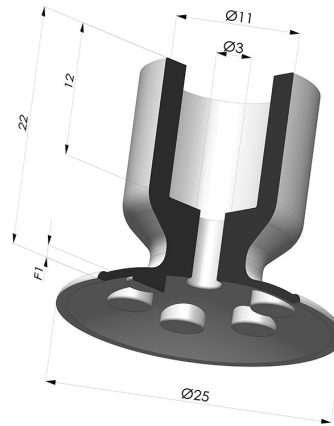


TECHNICAL INFORMATION

Arrow :	1 mm
Category :	Plates
Contact lip diameter :	25 mm
Height (in mm) :	22
Horizontal force :	22 N
inner barrel diameter :	11 mm
Number of bellows :	0.5 Bellows
Outer diameter :	25 mm
Range :	Suction cup
Series :	370P
Shape :	Plate
Vertical force :	11 N



Variants:



Variant reference:

370 P 25TPU A

- Color: Translucent
- Matter: Polyurethane
- Shore Hardness: SH70