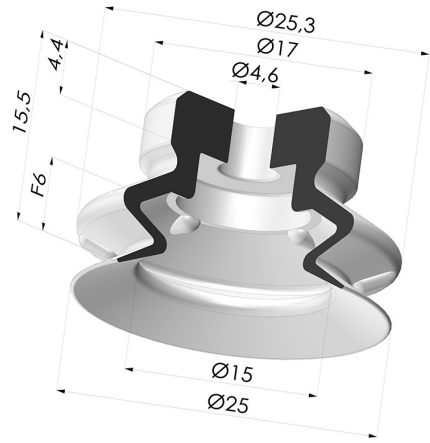


TECHNICAL INFORMATION

Arrow :	6 mm
Category :	With bellows
Contact lip diameter :	25 mm
Height (in mm) :	15.5
Horizontal force :	21.5 N
inner barrel diameter :	5 mm
Number of bellows :	1.5 Bellows
Outer diameter :	25 mm
Range :	Suction cup
Series :	PJG
Shape :	1.5 Bellows
Vertical force :	11 N



Variants:



Variant reference:

PJG 25NI A

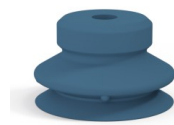
- Color: Black
- Matter: Nitrile
- Shore Hardness: SH50



Variant reference:

PJG 25SLT A

- Color: Translucent
- CE food certified
- Matter: Silicone
- Shore Hardness: SH60



Variant reference:

PJG 25SLDB A SH60

- Color: Blue food-grade CE certification
- Matter: Detectable silicone
- Shore Hardness: SH60

Related products:



**Adaptor - Female
1/4G - Female M6**

Product reference: ADA
G1/4F M6F



**Adaptor - Male 1/4G
- Female M6**

Product reference: ADA
G1/4M M6F



**Adaptor - Female
1/8G - Female M6**

Product reference: ADA
G1/8F M6F



**Adaptor - Male 1/8G
- Female M6**

Product reference: ADA
G1/8M M6F



**Separable Female
Fitting 1/4G**

Product reference: FTF
20B G1/4



**Separable Female
Fitting 1/8G**

Product reference: FTF
20B G1/8



**Separable Male
Fitting 1/4G**

Product reference: FTM
20B G1/4



**Separable Male
Fitting 1/8G**

Product reference: FTM
20B G1/8



**Screw M6 - Head Ø
11 mm - L 17 mm**

Product reference: SCR
20B M6M