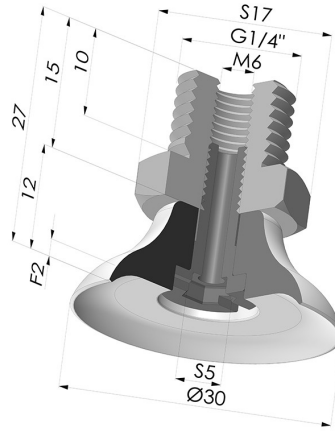


TECHNICAL INFORMATION

| | |
|--------------------------------|-------------|
| Arrow : | 2 mm |
| Category : | Plates |
| Contact lip diameter : | 30 mm |
| Height (in mm) : | 27 |
| Horizontal force : | 32 N |
| inner barrel diameter : | Male G1/4" |
| Number of bellows : | 0.5 Bellows |
| Range : | Suction cup |
| Series : | PFTM |
| Shape : | Plate |
| Top diameter : | Male G1/4" |
| Vertical force : | 16 N |



Variants:



Variant reference:

PFTM 30NI 1/4

- Color: Black
- Matter: Nitrile
- Shore Hardness: SH50



Variant reference:

PFTM 30SLT 1/4

- Color: Translucent
- CE food certified
- Matter: Silicone
- Shore Hardness: SH60