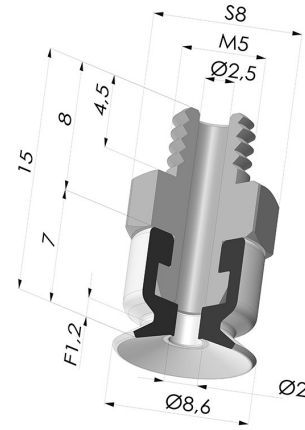


TECHNICAL INFORMATION

Arrow :	1.2 mm
Category :	Plates
Contact lip diameter :	8.6 mm
Height (in mm) :	15
Horizontal force :	2.6 N
inner barrel diameter :	M5
Number of bellows :	0.5 Bellows
Range :	Suction cup
Series :	PFTM
Shape :	Plate
Vertical force :	1.3 N



Variants:



Variant reference:
PFTM 8ANI M5M

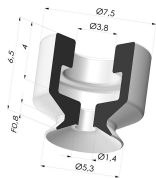
- Color: Black
- Matter: Nitrile
- Shore Hardness: SH50



Variant reference:
PFTM 8ASLT M5M

- Color: Translucent
- CE food certified
- Matter: Silicone
- Shore Hardness: SH60

Related products:



Flat suction cup series PFG Ø 5.3 mm

Product reference: PFG 05A-- A



Separable Male Fitting M5

Product reference: FTM 5A M5