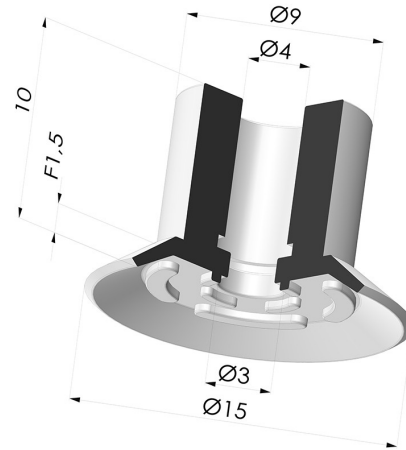


TECHNICAL INFORMATION

Arrow :	1.5 mm
Category :	Plates
Contact lip diameter :	15 mm
Height (in mm) :	10
Horizontal force :	8 N
inner barrel diameter :	4 mm
Number of bellows :	0.5 Bellows
Range :	Suction cup
Series :	70S
Shape :	Plate
Vertical force :	4 N



Variants:



Variant reference:
70S 15CN A

- Color: Brown FDA food certified
- Matter: Natural rubber
- Shore Hardness: SH35



Variant reference:
70S 15SLT A

- Color: Translucent
- CE food certified
- Matter: Silicone
- Shore Hardness: SH60

Related products:



Separable Male Fitting M6

Product reference: M6C



Separable Male Fitting M5

Product reference: M5C --