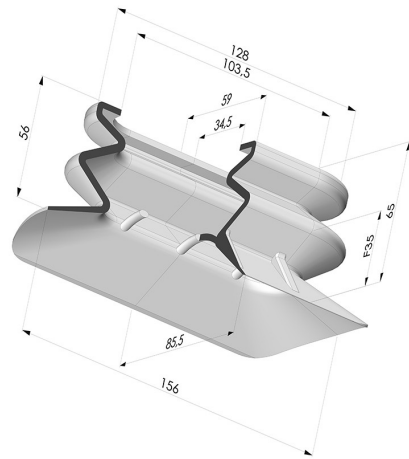


TECHNICAL INFORMATION

Arrow :	35 mm
Category :	Oblong
Height (in mm) :	65
Horizontal force :	575 N
inner barrel diameter :	103.5x34.5 mm
Length :	156 mm
Mass :	114 g
Number of bellows :	1.5 Bellows
Range :	Suction cup
Series :	4PA
Shape :	Oblong
Vertical force :	287 N
Volume :	233 cm ³
Width :	85.5 mm



Variants:



Variant reference:

4PA160 90 69SLT A

- Color: Translucent
- CE food certified
- Matter: Silicone
- Shore Hardness: SH40



Variant reference:

4PA160 90 69SLB A

- Color: White
- FDA and CE food-grade certified
- Matter: Silicone
- Shore Hardness: SH40