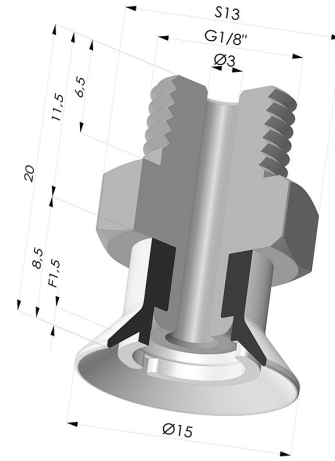


TECHNICAL INFORMATION

| | |
|--------------------------------|-------------|
| Arrow : | 1.5 mm |
| Category : | Plates |
| Contact lip diameter : | 15 mm |
| Height (in mm) : | 20 |
| Horizontal force : | 7.5 N |
| inner barrel diameter : | G1/8" |
| Number of bellows : | 0.5 Bellows |
| Range : | Suction cup |
| Series : | 7SB |
| Shape : | Plate |
| Vertical force : | 3.5 N |



Variants:



- Variant reference:
7SB 15SLT M18
- Color: Translucent
 - CE food certified
 - Matter: Silicone
 - Shore Hardness: SH60



- Variant reference:
7SB 15TPUB M18
- Color: Blue
 - Matter: Thermoplastic
 - Shore Hardness: SH70



- Variant reference:
7SB 15NI M18
- Color: Black
 - Matter: Nitrile
 - Shore Hardness: SH50