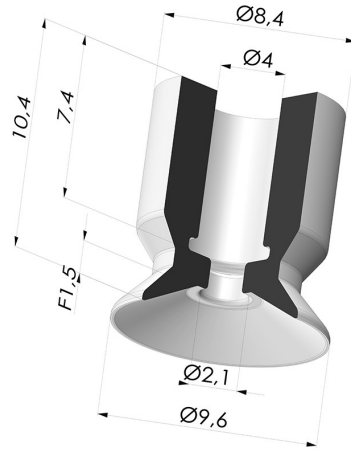


TECHNICAL INFORMATION

Arrow :	1.5 mm
Category :	Plates
Contact lip diameter :	9.6 mm
Height (in mm) :	10.4
Horizontal force :	3.29 N
inner barrel diameter :	4 mm
Mass :	0.50 g
Number of bellows :	0.5 Bellows
Range :	Suction cup
Series :	VPC
Shape :	Plate
Vertical force :	1.64 N
Volume :	0.06 cm ³



Variants:



Variant reference:

VPC 10NI A

- Color: Black
- Matter: Nitrile
- Shore Hardness: SH50



Variant reference:

VPC 10MNT A

- Color: Bordeaux
- Matter: Non-staining material for plastics processing
- Shore Hardness: SH60



Variant reference:

VPC 10SLT A

- Color: Translucent
- CE food certified
- Matter: Silicone
- Shore Hardness: SH60