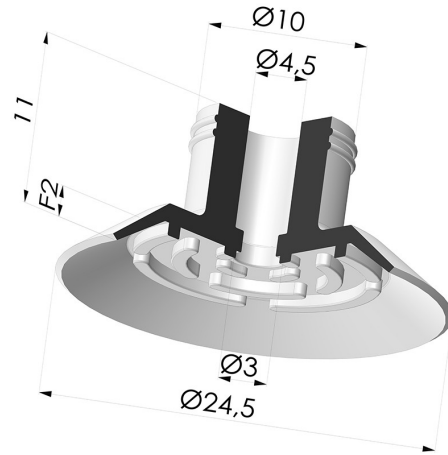


**TECHNICAL INFORMATION**

<b>Arrow :</b>	2 mm
<b>Category :</b>	Plates
<b>Contact lip diameter :</b>	25 mm
<b>Height (in mm) :</b>	11
<b>Horizontal force :</b>	20 N
<b>inner barrel diameter :</b>	4.5 mm
<b>Number of bellows :</b>	0.5 Bellows
<b>Range :</b>	Suction cup
<b>Series :</b>	70S
<b>Shape :</b>	Plate
<b>Top diameter :</b>	4.5 mm
<b>Vertical force :</b>	10 N



**Variants:**



Variant reference:

**70S 24CN A**

- Color: Brown FDA food certified
  - Matter: Natural rubber
  - Shore Hardness: SH40



Variant reference:

**70S 24SLT A**

- Color: Translucent
  - CE food certified
  - Matter: Silicone
- Shore Hardness: SH60

**Related products:**



**Separable Male Fitting M6**

Product reference: M6C



**Separable Male Fitting M5**

Product reference: M5C --